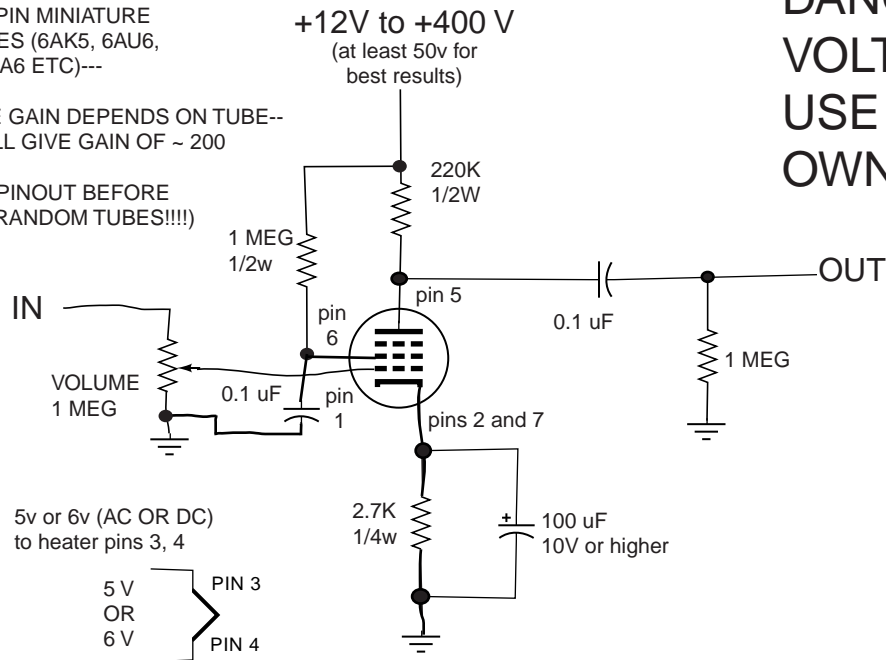


THIS CIRCUIT CAN USE MOST 7-PIN MINIATURE PENTODES (6AK5, 6AU6, 6CB6, 6BA6 ETC)---

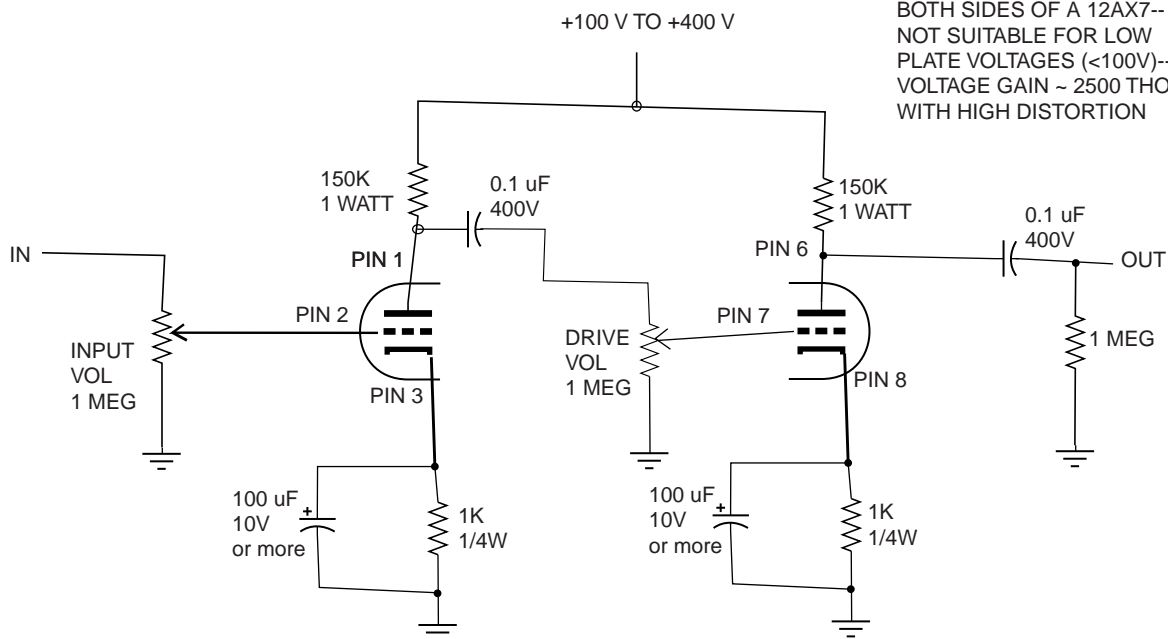
VOLTAGE GAIN DEPENDS ON TUBE-- 6AU6 WILL GIVE GAIN OF ~ 200

(CHECK PINOUT BEFORE TRYING RANDOM TUBES!!!!)



(note: some old TV tubes have unusual heater voltages. The first number in the tube name is that voltage. This ckt will work with those tubes if you provide the proper voltage to the heater)

DANGER--HIGH VOLTAGES! USE AT YOUR OWN RISK!!



SIMPLE GAIN CIRCUIT FOR BOTH SIDES OF A 12AX7-- NOT SUITABLE FOR LOW PLATE VOLTAGES (<100V)--- VOLTAGE GAIN ~ 2500 THOUGH WITH HIGH DISTORTION

DANGER--HIGH VOLTAGES! USE AT YOUR OWN RISK!!

CONNECT 12V AC OR DC TO HEATER (PINS 4, 5)--IF 12 V IS NOT AVAILABLE, TUBE CAN USE 5 OR 6 V AC OR DC--CONNECT TO PINS 4 AND 5 TOGETHER (ONE SIDE) AND PIN 9 (OTHER SIDE)

